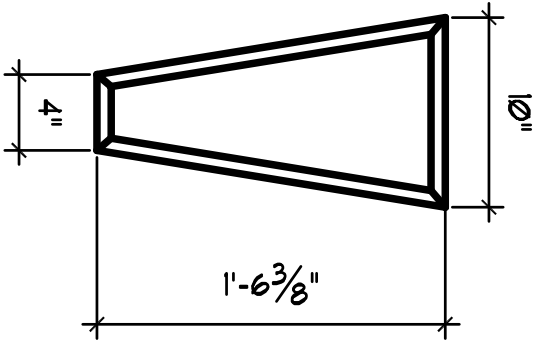
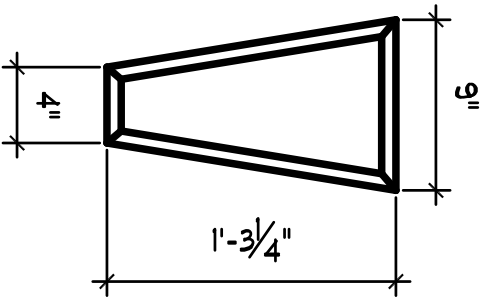


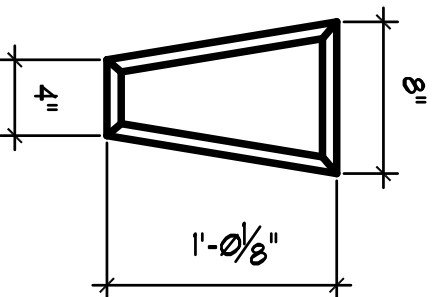
SIDE



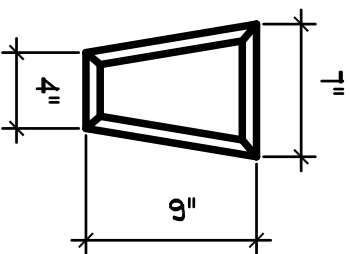
KM6



KM5



KM4



KM3

KEYS BASED UPON OVERSIZED BRICK